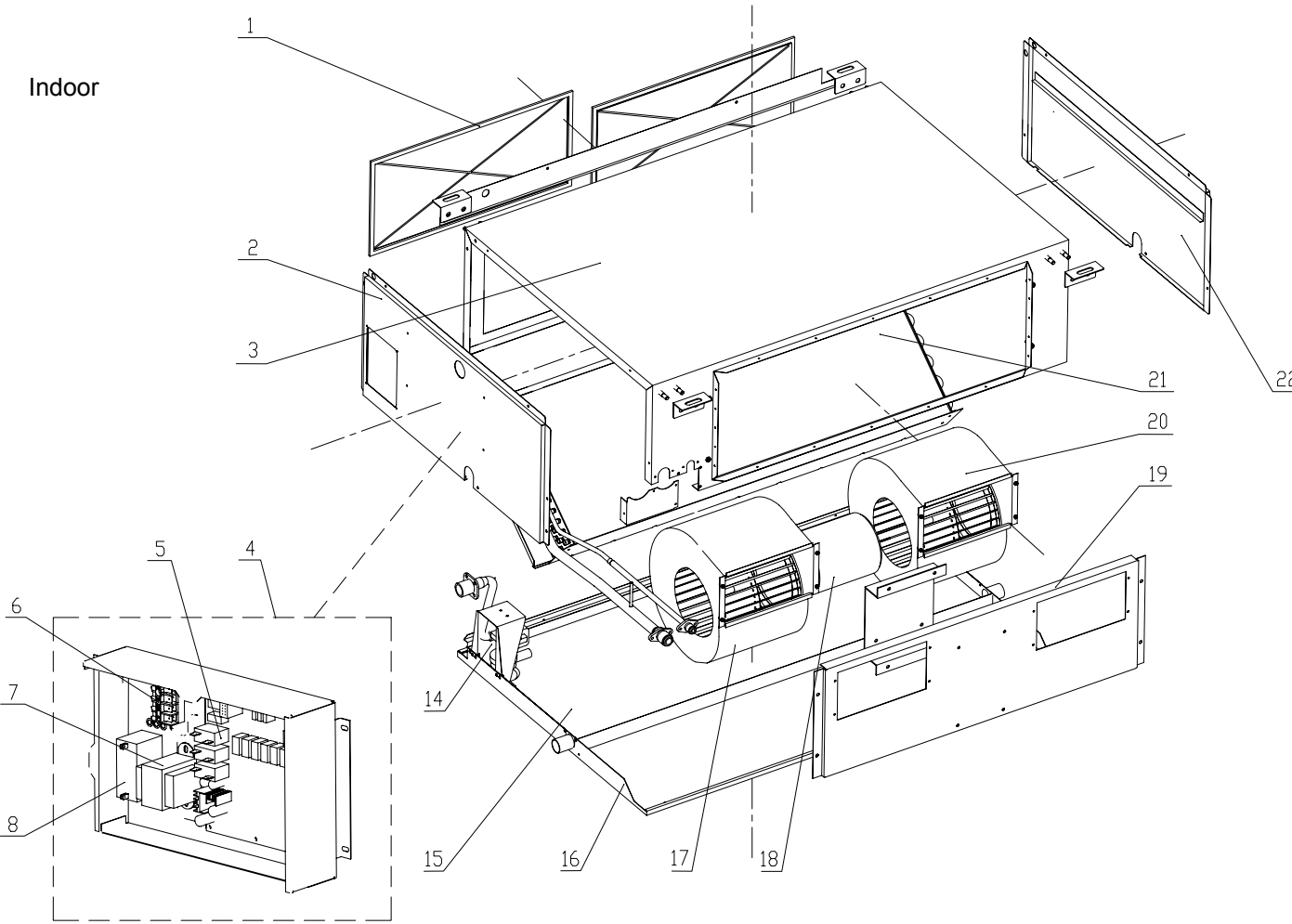
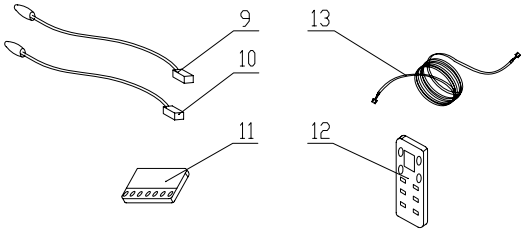


Indoor



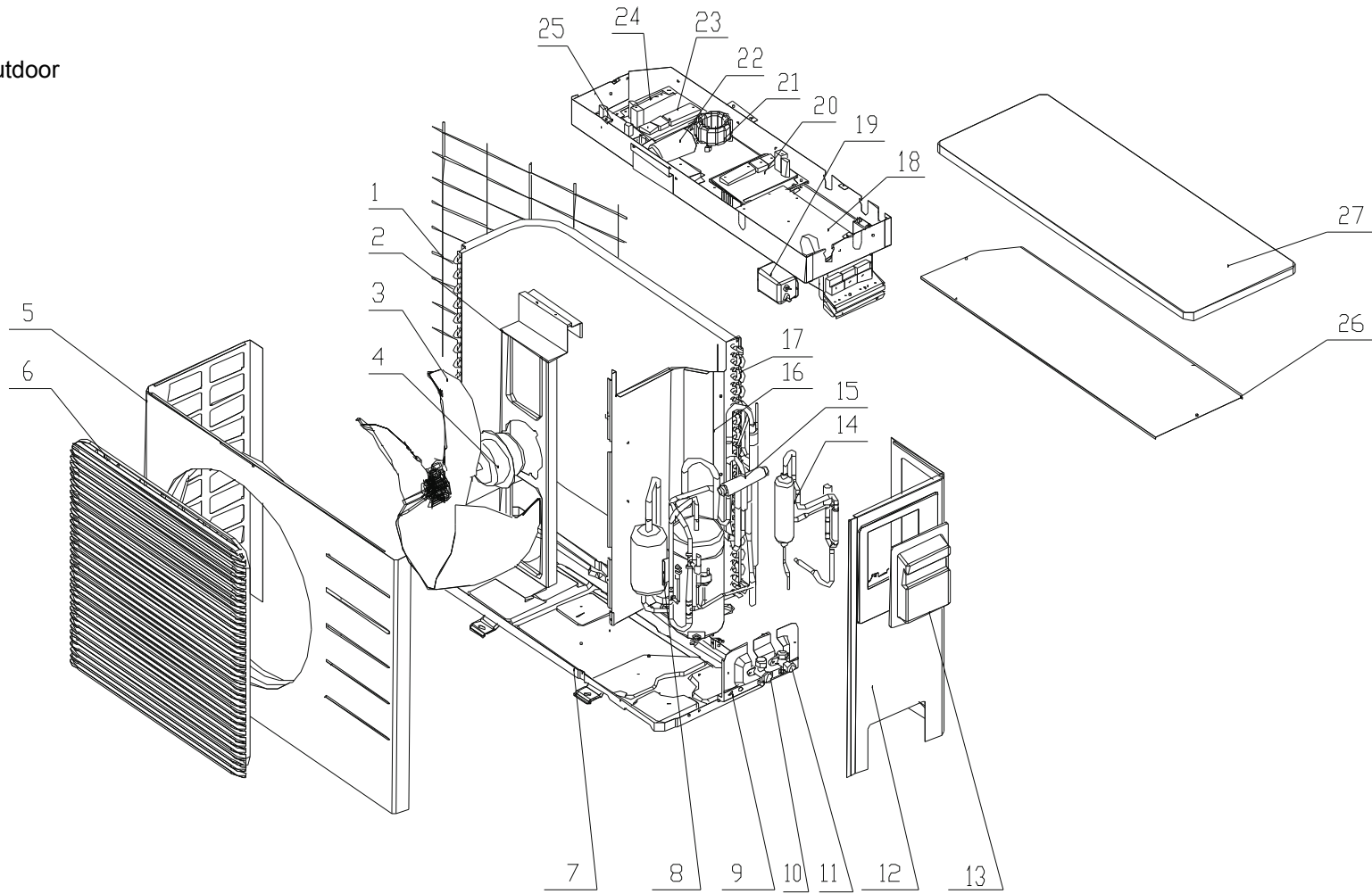
22	Left Side Plate Assy
21	Evaporator Assy
20	Fan Assy (Left)
19	Fan Fixed Plate Assy
18	Fan Motor
17	Fan Assy (Right)
16	Bottom Cover Assy
15	Water Tray Assy
14	Water Pump Assy
13	Signal Wire
12	Remote controller
11	Display Board
10	Tube sensor
9	Ambient Temperature Sensor
8	Capacitor
7	Transformer
6	Terminal Board
5	Main Board
4	Electric Box Assy
3	Top Cover Assy
2	Right Side Plate Assy
1	Filter Sub-Asy



GFH24K3AI



Outdoor



GUHD24NK3AO



GUHD24NK3AO OUTDOOR

NO	Product Code	QTY	code
1	Rear Grill	1	1473006
2	Motor Support	1	1805201
3	Axial Flow Fan	1	10335253
4	Motor FW68G	1	15013110
5	Front Side Plate Sub-Assy	1	1305017
6	Front Grill	1	22415001
7	Base Plate Assy	1	01195204P
8	Compressor And Fittings C-6RZ146H1A	1	103501
9	Valve Support Assy	1	1715001
10	Cut-off valve 1/2 9R#10A 9 1	1	7103030
11	Cut-off valve 3/8 9R#10A 9 1	1	7130209
12	Right Side Plate Assy	1	1305029
13	Handle Sub-Assy	1	26235255
14	Electronic Expansile Valve Assy	1	7335203
15	4-way Valve Assy	1	4145205
16	Mid Clapboard	1	1245203
17	Condenser Assy	1	1125208
18	Main PCB1 WZ4D35	1	30224036
19	Filter FS23685-25-08	1	43130018
20	PFC Module 1 Z81P	1	30111017
21	Inductance (PFC) 300uH+300uH/40A	1	43120011
22	Electrolytic Capacitor 1000uF/450V	2	33310111
23	Main PCB ZQ101	1	30221005
24	Radiator	1	49015201
	Radiator	1	49015202
25	Main PCB Z81P-1	1	30228104
26	Electric Box Cover	1	1424005
27	Top Cover Sub-Assy	1	1253452